



LINI XL Spot 5R Fixture Guide



Indoor | Recessed | Output up to 750lm/module

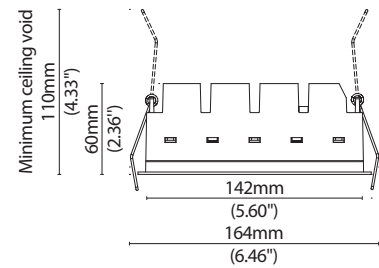


Key applications

- ✓ Ceiling
- ✓ Downlighting
- ✓ Flood lighting
- ✓ Interior
- ✓ Retail display

Key features

- ✓ High lumen efficacy
- ✓ IP20
- ✓ Lensed





LINI XL Spot 5R

Specification sheet



| | |
|-----------------------|---|
| Dimensions | H60/W45/D152.5mm (H2.36/W1.77/D6.00 in) |
| PCB Cut-point | - |
| LED Pitch | 27.5mm (1.08in) |
| Chip | hcc-line: CREE |
| Cover/Optics | 24° or 40° lens with black reflector |
| CCT | 2700K/3000K/4000K |
| LED binning | 3-step MacAdam ellipse |
| CRI | 90 |
| Lifetime | 50,000 hours @ 25°C (50,000 hours @ 77°F) |
| Operating temp | T _a = -20°C to 40°C (T _c max = 80°C) T _a = -4 to 104°F (T _c max = 176°F) |
| IP Rating | IP20 |
| Finish | Matt white/Black paint |
| Mounting | Recessed mounting |
| Power feed | Single IP20 Connector |
| Control | Constant current |

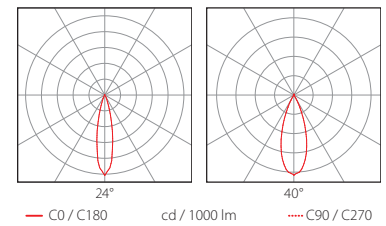
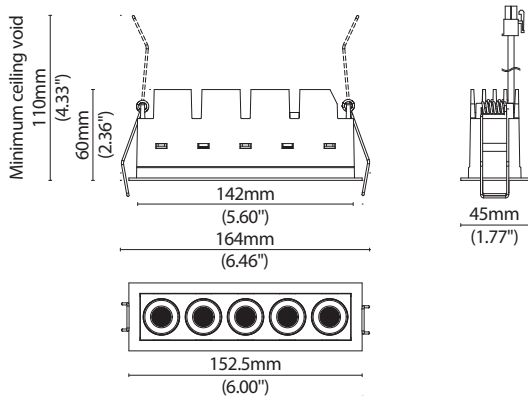


| Power consumption | Supply voltage | Supply current |
|-------------------|----------------|----------------|
| 11W | 16V | 700mA |

Performance Data (3000K)

| | R1 | R2 | R3 | R4 | R5 | R6 | R7 | R8 | R9 | R10 | R11 | R12 | R13 | R14 |
|--------------|----|----|----|----|----|----|----|----|----|-----|-----|-----|-----|-----|
| 2700K | 90 | 93 | 94 | 93 | 89 | 91 | 94 | 80 | 52 | 82 | 93 | 78 | 91 | 96 |
| 3000K | 94 | 96 | 97 | 94 | 93 | 95 | 94 | 84 | 63 | 90 | 94 | 79 | 94 | 98 |
| 4000K | 91 | 94 | 96 | 92 | 90 | 92 | 93 | 81 | 50 | 85 | 92 | 76 | 91 | 98 |

| | 24° Lens | 40° Lens | CRI | R9 | Rf | Rg |
|-----------------|------------------------|------------------------|-----|----|----|----|
| hcc-line | 750lm/module 68lm/W | 750lm/module 68lm/W | 93 | 63 | - | - |





LINI XL Spot 5R

Code Table



FIXTURE

| Model | Finish | Cover | Option | Colour (CCT) | IP | Cable Length | Power Feed | Lens | Control Type | Input |
|--------------|------------------|-----------|------------|--------------|------|--------------|------------------------------------|------|---------------|----------|
| LINI XL Spot | Matt White paint | Reflector | 5 Recessed | 2700K | IP20 | 700mm/27.56" | Single no sheath IP20 connector | 24° | No Controller | CC 700mA |
| | Matt Black paint | | | 3000K | | | | 40° | | |
| | | | | 4000K | | | | | | |

Code Example:

| | | | | | | | | | | | | | | | | | | | | |
|--------------|---|------------------|---|-----------|---|------------|---|-------|---|------|---|--------------|---|---------------------------------|---|-----|---|---------------|---|----------|
| LP | - | MW | - | V | - | 5R1 | - | 30 | - | 20 | - | 0700 | - | S20X | - | 24 | - | 5 | - | i |
| LINI XL Spot | | Matt White paint | | Reflector | | 5 Recessed | | 3000K | | IP20 | | 700mm/27.56" | | Single no sheath IP20 connector | | 24° | | No Controller | | CC 700mA |

LED ENGINE VARIANTS (LED STRIP TYPE)

| Luminaire | Lumen/module | W | Spec Doc | LED Pitch | Dimension |
|--------------------------------|--------------|-----------|------------------------------|------------------------|---|
| LINI XL Spot 1 Recessed | 140 | 2 | LINI XL Spot 1R | N/A | H60/W45/D45mm (H2.36/W1.77/D1.77in) |
| LINI XL Spot 2 Recessed | 300 | 4 | LINI XL Spot 2R | 27.5mm (1.08in) | H60/W45/D70mm (H2.36/W1.77/D2.76in) |
| LINI XL Spot 3 Recessed | 450 | 7 | LINI XL Spot 3R | 27.5mm (1.08in) | H60/W45/D98mm (H2.36/W1.77/D3.86in) |
| LINI XL Spot 5 Recessed | 750 | 11 | LINI XL Spot 5R | 27.5mm (1.08in) | H60/W45/D152.5mm (H2.36/W1.77/D6.00in) |
| LINI XL Spot 5 Adjustable | 750 | 11 | LINI XL Spot 5R (Adjustable) | 27.5mm (1.08in) | H60/W70/D171mm (H2.36/W2.76/D6.73in) |
| LINI XL Wallwasher 5 Recessed | 500 | 11 | LINI XL Wallwasher 5R | 12.95mm (0.51in) | H59.7/W44.4/D152.5mm (H2.35/W1.75/D6.00in) |

* Performance data: hcc-line, 24° lens, 3000K



LINI XL Spot Driver/PSU Options



AVAILABLE PSU OPTIONS

| Control Mode | PSU (Order Code) | Input Voltage AC | Output Voltage DC | Rated Output Current | Rated Power | Dim % | IP Rating |
|---------------|-------------------|------------------|-------------------|----------------------|-------------|-------|-----------|
| Switched | HLG-60H-C350A | 90-305V | 100V-200V | 0.35A | 70W | - | IP65 |
| | HLG-60H-C700A | 90-305V | 50V-100V | 0.7A | 70W | - | IP65 |
| | HLG-80H-C350A | 90-305V | 128V-257V | 0.35A | 90W | - | IP65 |
| | HLG-80H-C700A | 90-305V | 64V-129V | 0.7A | 90W | - | IP65 |
| | HLG-120H-C350A | 90-305V | 215-430V | 0.35A | 150W | - | IP65 |
| | HLG-120H-C700A | 90-305V | 107V-215V | 0.7A | 150W | - | IP65 |
| | HLG-185H-C700A | 90-305V | 143V-286V | 0.7A | 199W | - | IP65 |
| 0-10V (1-10V) | HLG-60H-C350B | 90-305V | 100V-200V | 0.35A | 70W | - | IP67 |
| | HLG-60H-C700B | 90-305V | 50V-100V | 0.7A | 70W | - | IP67 |
| | HLG-80H-C350B | 90-305V | 128V-257V | 0.35A | 90W | - | IP67 |
| | HLG-80H-C700B | 90-305V | 64V-129V | 0.7A | 90W | - | IP67 |
| | HLG-120H-C350B | 90-305V | 215-430V | 0.35A | 150W | - | IP67 |
| | HLG-120H-C700B | 90-305V | 107V-215V | 0.7A | 150W | - | IP67 |
| | HLG-185H-C700B | 90-305V | 143V-286V | 0.7A | 199W | - | IP67 |
| DMX | POWERdrive 1060/A | 120 - 277V | 2V-57V | 0.35A, 0.7A | 100W | - | - |
| | POWERdrive 106/M | 120 - 277V | 2V-57V | 0.35A, 0.7A | 100W | - | - |
| | POWERdrive 106/S | 120 - 277V | 2V-57V | 0.35A, 0.7A | 100W | - | - |
| | POWERdrive 1061/M | 120 - 277V | 2V-57V | 0.35A, 0.7A | 100W | - | - |
| | POWERdrive 1061/S | 120 - 277V | 2V-57V | 0.35A, 0.7A | 100W | - | - |
| DALI | ELG-100-C350DA | 180-295V | 143-286V | 0.35A | 100W | - | IP67 |
| | ELG-100-C700DA | 180-295V | 71-143V | 0.7A | 100W | - | IP67 |
| | ELG-150-C700DA | 180-295V | 150-300V | 0.7A | 150W | - | IP67 |